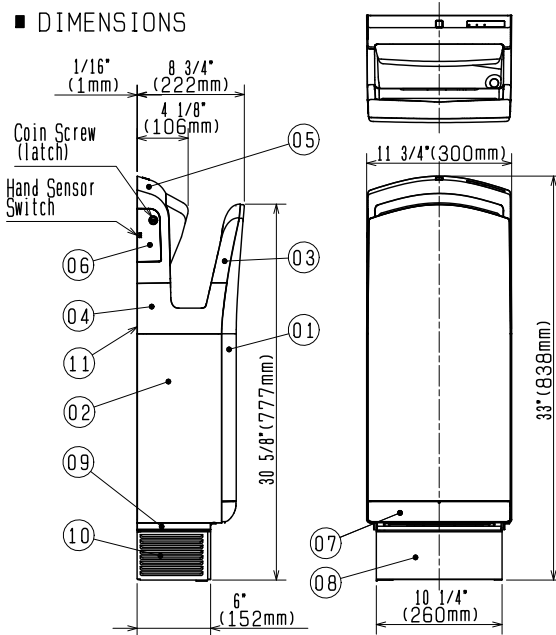


MITSUBISHI HAND DRYER

■ DIMENSIONS



■ EXTERIOR MATERIALS

No.	PARTS	MATERIALS	COLOR (MUNSELL)
01	FRONT PANEL	ABS RESIN	SILVER
02	SIDE PANEL	ABS RESIN	GRAY (3.3Y: HUE 3.10: BRIGHTNESS) 0.41: CHROMA
03	INTERNAL PANEL-F	ABS RESIN	
04	INTERNAL PANEL-M	ABS RESIN	
05	INTERNAL PANEL-B	ABS RESIN	
06	SWITCH COVER	ABS RESIN	
07	DRAIN TANK	ABS RESIN	
08	HEATER UNIT	STEEL	GRAY
09	BASE	PP RESIN	WHITE
10	AIR FILTER	PP RESIN	BLACK
11	BACK PANEL	STEEL	BEIGE

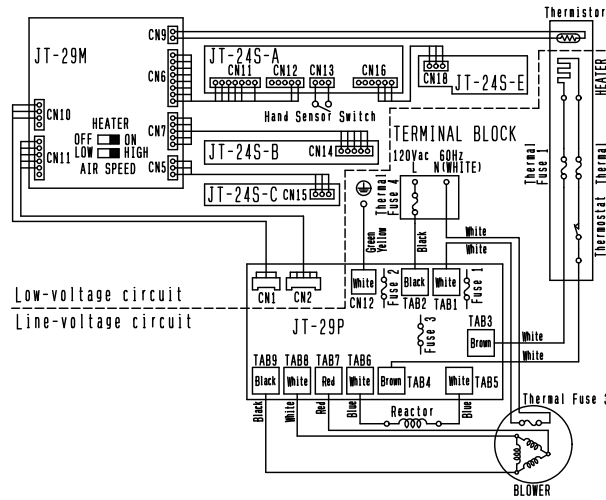
■ SPECIFICATIONS

MODEL	RATED VOLTAGE (Vac)	RATED FREQUENCY (Hz)	AIR SPEED	RATED CURRENT (A)	AIR SPEED (MPH)	NOISE (dB)	WEIGHT	AIR TEMPERATURE (Heater - ON)	DRAIN TANK CAPACITY (L)
JT-SB116EH-G-UL	120	60	HIGH (LOW)	9.8 (7.3)	190 (168)	64 (61)	37 lbs 17 kg	95° F 35° C	0.8
MOTOR TYPE			BRUSHLESS MOTOR (4POLE)			SAFETY MEASURES			THERMAL FUSES AND OVER CURRENT FUSES
DIELECTRIC STRENGTH			1,000Vac FOR 1 MINUTE			INSULATION RESISTANCE			10MΩ OR MORE (MEASURED BY DC500V MEGGER)

- Air speed is calculated from the static pressure measured by the pitot tube, (at the nozzle)
- Noise is the A range value measured in an anechoic room. (Average as 3 points, 2m from the front and both sides)
- When the heater switch is on, electricity is consumed fitfully to keep the heater hot while the hand dryer is not used.
- The heater is turned off automatically when the room temperature around the unit reaches 95° F (35° C) or above.

*Specifications may be subject to change without notice.

■ CONNECTION DIAGRAM



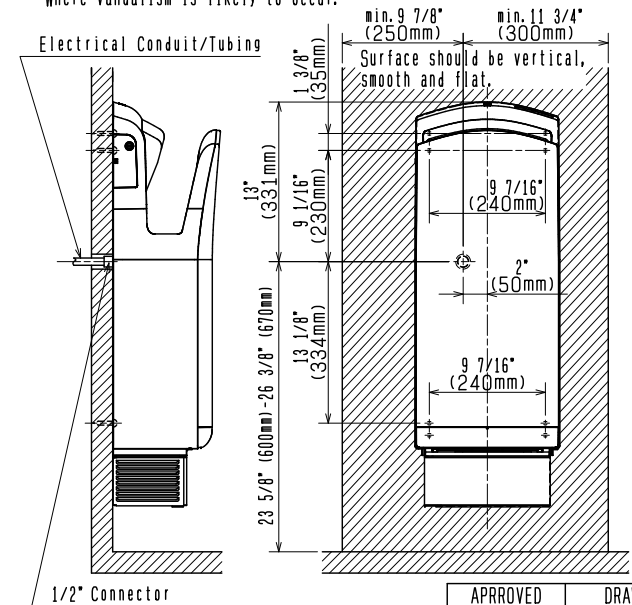
Fuse 1	250V 20A
Fuse 2	250V 20A
Fuse 3	250V 5A
Thermal Fuse 1	172°C (OPEN)
Thermal Fuse 2	172°C (OPEN)
Thermal Fuse 3	121°C (OPEN)
Thermostat	200°C (OPEN) 150°C (CLOSE)

■ UL LISTED
UL File No. E320785



■ INSTALLATION PRECAUTIONS

1. Read the installation manual thoroughly before beginning installation to ensure the unit is installed safely and correctly.
2. This hand dryer must have its own independent branch circuit using AWG #12 or #14 copper wire.
3. The circuit should be equipped with a Ground Fault Interrupter and a 20 amp double pole circuit breaker for AWG #12 wire or a 15 amp double pole circuit breaker for AWG #14 wire.
4. This hand dryer should be properly grounded.
5. Do not install this hand dryer in the following locations:
 - At elevations above 6,560ft (2,000m).
 - Where the ambient temperature will fall outside the range of 50° F (10° C) to 104° F (40° C), or 50° F (10° C) to 86° F (30° C) if the elevation is over 3,280ft (1,000m)
 - Where the relative humidity will exceed 5-95%, or where condensation will form due to rapid temperature changes.
 - Where dust, salt, or metal particle densities are high.
 - Where corrosive, neutral or reductive gases are present.
 - Outside or in an area exposed to direct sunlight (or other strong light) or in direct moisture.
 - Near a bath, shower or a swimming pool.
 - An area subjected to vibration or pounding, e.g., on trains/vessels.
 - Next to food, tableware or cooking appliances.
 - In narrow hallways and behind swinging doors.
 - Where vandalism is likely to occur.



APPROVED: K. KAMEISHI
DRAWN: J. NAKAMURA

SCALE	DATE	UNIT	PRODUCT	MITSUBISHI HAND DRYER
NTS	May 19 2009	Inches (mm)	MODEL	JT-SB116EH-G-UL
MITSUBISHI ELECTRIC CORPORATION NAKATSUGAWA WORKS				DWG. NO. No.NL 109004